



(Typical only - some details may vary.)

#### STANDARDS

The stretcher meets the applicable requirements of the following standards:

CSA C22.2 No. 601.1-M90,  
EMC Directive 89/336/EEC  
EN60601-1:1990+A2:1995  
EN60601-1-2:1993  
Medical Device Directive 93/42/EEC  
UL2601-1 2nd Ed.

#### FEATURES

The **central brake and steer system** with 8" (203 mm) casters has three modes of operation: center track steering, neutral, and brake. Brake and steer levers for this system are accessible at all four corners of the stretcher base.

The **electric/battery powered positioning and adjustment system** features a hand held control for use either by the patient or care provider. **Hand held control** allows height adjustment, backrest angle and knee flex capability. An alternate set of controls, accessible only by the care provider, is located at the foot end of the stretcher. The **foot end control panel** can be used to make all the adjustments of the hand held control plus 10° Trendelenburg and reverse Trendelenburg. The foot end control Panel also includes a simple to use lock-out knob which disables any one or all of the hand held

#### APPLICATION

The Hausted® Surgi-Stretcher is a multi-position stretcher intended for treatment, transport or recovery of a patient. With the uniquely designed articulating head section, this unit can be used for specialty procedures which require precision head positioning. Models in this series provide specialized surgical functions of head positioning for ophthalmology, plastic surgery or ENT procedures.

#### DESCRIPTION

The articulating head piece with dual operating control knobs allows for infinite adjustability and precise, microscopic movement of the head section. Preinduction, transport, treatment, and recovery can be performed on the same unit to improve case turnaround and streamline patient handling in surgical care. Patient positioning is convenient and easy for both care provider and patient with the electric/battery powered controls for adjustment of height, backrest and knee flex.

For further information, please contact:



334.215.5151 **Main**  
877.706.5151 **Toll Free**  
334.215.5150 **Fax**

2511 Midpark Drive  
Montgomery, AL 36109

www.hausted.com

This data is intended for the exclusive use of Hausted® Customers, including architects or designers. Reproduction in whole or in part by others is prohibited.

SD-668 ©2010, HAUSTED® Patient Handling Systems All rights reserved. HH 5/30/12

#### The Selections Checked Below Apply To This Equipment

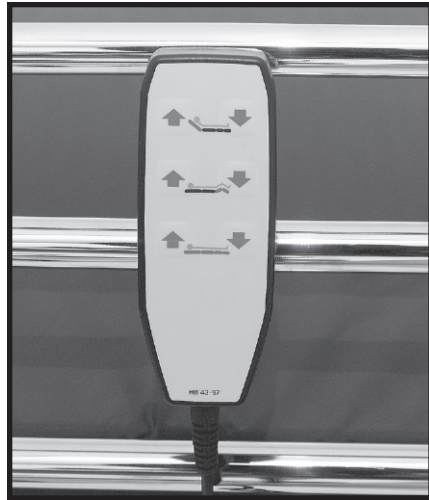
120 VOLT MODEL  
 5E8-EYE-ST

230 VOLT MODEL  
 5D8-EYE-ST

Item \_\_\_\_\_

Location(s) \_\_\_\_\_

\_\_\_\_\_



Hand Held Control



Foot End Control

controls.

A manually controlled **emergency release lever** is provided to override electric/battery powered control of the backrest in emergency situations (electric/battery powered function resumes without reset).

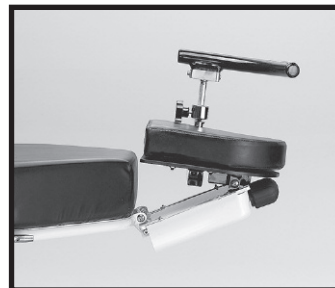
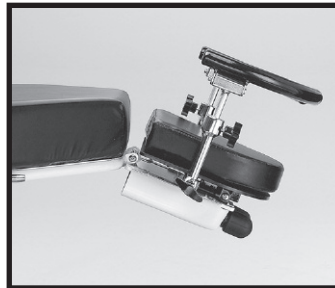
Electric/battery powered controls operate from a standard 120 VAC supply (a 230 VAC model is available). A 24 VDC **integral backup battery** provides positioning and stretcher adjustment for transport and emergency use.

The **thermoformed base cover** is seamless and easy to clean. Base design includes a built-in oxygen tank holder and storage area for patient belongings.

**Dual pedestal base construction** ensures patient stability.

**Stainless steel patient support surface** provides durability and aesthetics. A **head piece section** to increase patient positioning capabilities.

- **Articulating head piece** with two (**EYE** series) control knobs for precise head positioning during procedures. (Right and left wrist rests, and U-shaped rest are available as optional accessories.)



EYE Series Articulating Head Piece

- **Pre-operative/post-operative head extension** stabilizes patient's head during transport to facilitate comfort and recovery.



Head Extension

Heavy duty **non-marking corner bumper system** protects walls from being marred.

**Dual accessory wells** at all four corners provide versatility in adapting accessories.

The **retracto rail** patient protecting rails offer three positions: full height for maximum patient security; mid-position to provide patient access while maintaining patient security; and fully lowered for patient transfer.

A permanently mounted telescoping I.V. rod at the foot end eliminates the inconvenience of missing I.V. rods.

## MATERIAL SPECIFICATIONS

### Base Frame

Made from 1" (25 mm), 12-gauge, square, high-strength tubing, powder-coated finish. Base cover is thermoformed ABS plastic.

### Columns

Made of extruded aluminum.

### Top Frame

Made from 1-1/4x1/2" (32x13mm), 14-gauge, powder-coated, carbon steel channel. Patient surface is stainless steel.

### Retracto Rails

Made from 3/4" (19mm) diameter, 16-gauge, stainless steel. Top section is made from extruded and injection molded PVC.

### Mattress Pads

High-density polyurethane foam covered with a vinyl fabric.

## STANDARD FEATURES

- Casters: 8" (203mm)
- Fifth wheel for center track steering
- Brake/steer pedals: 4; one at each corner
- 24 VDC backup battery operation
- Electric/battery powered hand-held and foot-end controls
- Backrest adjustment range: 0-90°
- Knee flex adjustment range: 0-55°
- Minimum height: 22" (559mm)
- Maximum height: 30" (762mm)
- Trendelenburgs: 10°

- Patient surface dimensions: 82" (2083mm)
- Overall length: 87-1/2" (2223mm) with pre-operative extensions; 86-1/4" (2191mm) without pre-operative extensions
- 3" (76mm) thick comfort pad and head pad
- Side rails 14x49" (356x1245mm) - upright position; 11-1/2 x 44" (292 x 1245 mm) - mid-position
- IV and accessory wells: one IV and one accessory well at each corner
- 3-Stage Telescoping IV Pole (permanently mounted at foot)

- Staff control panel with power lockouts (foot end)

## MAXIMUM WEIGHT CAPACITY

500 lb (227 kg).

## ELECTRICAL SPECIFICATIONS

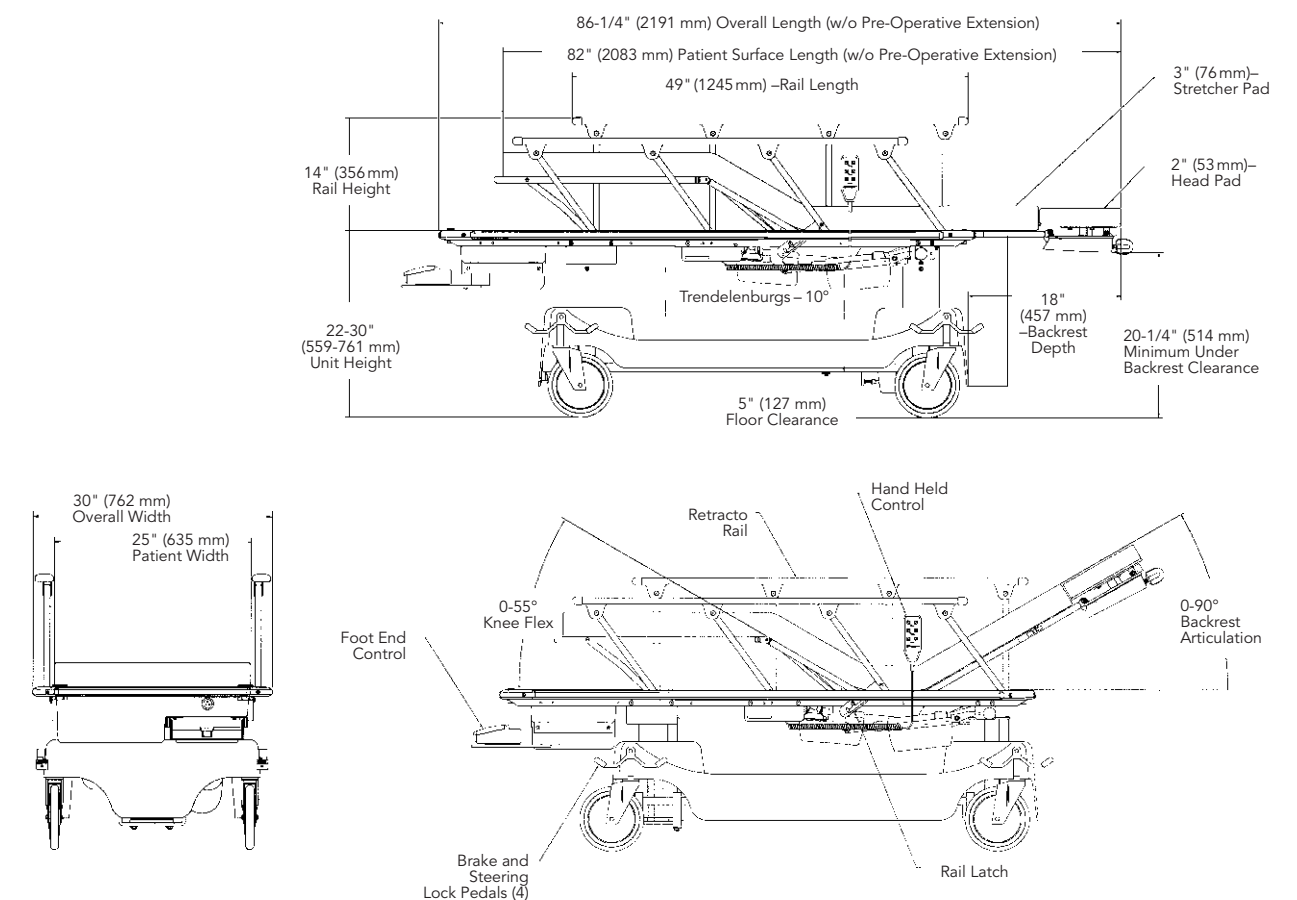
### • 5E8EYE Model

Input Voltage: 120 VAC,  $\pm 5\%$ , 60 Hz  
Amperage: Max. 3.5 A  
Duty Cycle: 10% 6 min. in 1 hr.

### • 5D8EYE Model

Input Voltage: 230 VAC,  $\pm 10\%$ , 50 Hz  
Amperage: Max. 1.9 A  
Duty Cycle: 10% 6 min. in 1 hr.

## Hausted® Surgi-Stretcher – Electric/battery Powered Models



### NOTE:

Because of Hausted's continuing program of research and development, all specifications and descriptions are subject to change without notice. Obtain approved drawings for design, and installation.